



Beeline Moto User Guide



What is Beeline Moto?

Navigation for motorcycling, **upgraded.**



Award winning industrial design to suit your bike



Waterproof, shockproof & with 30-hour battery



Intuitive, easy-to-follow navigation interface



Worldwide route planning & GPX import in the app



How does it work?

Beeline Moto pairs with your smartphone via Bluetooth. Using the Beeline app, you can plan routes, then navigate them using the device.

Harnessing the power of your smartphone, go from route planning in the app to navigating on the road with ease.

You can easily mount Beeline Moto on almost any motorbike, using one of the two mounts included in the box with every device, or one of our full range of mounts available separately.

Key device features

- IP67 water, shock and dust proof
- Glove friendly buttons
- 30 hour battery life
- Speedo, trip computer and clock screens





Beeline Moto

E X P L A I N E D

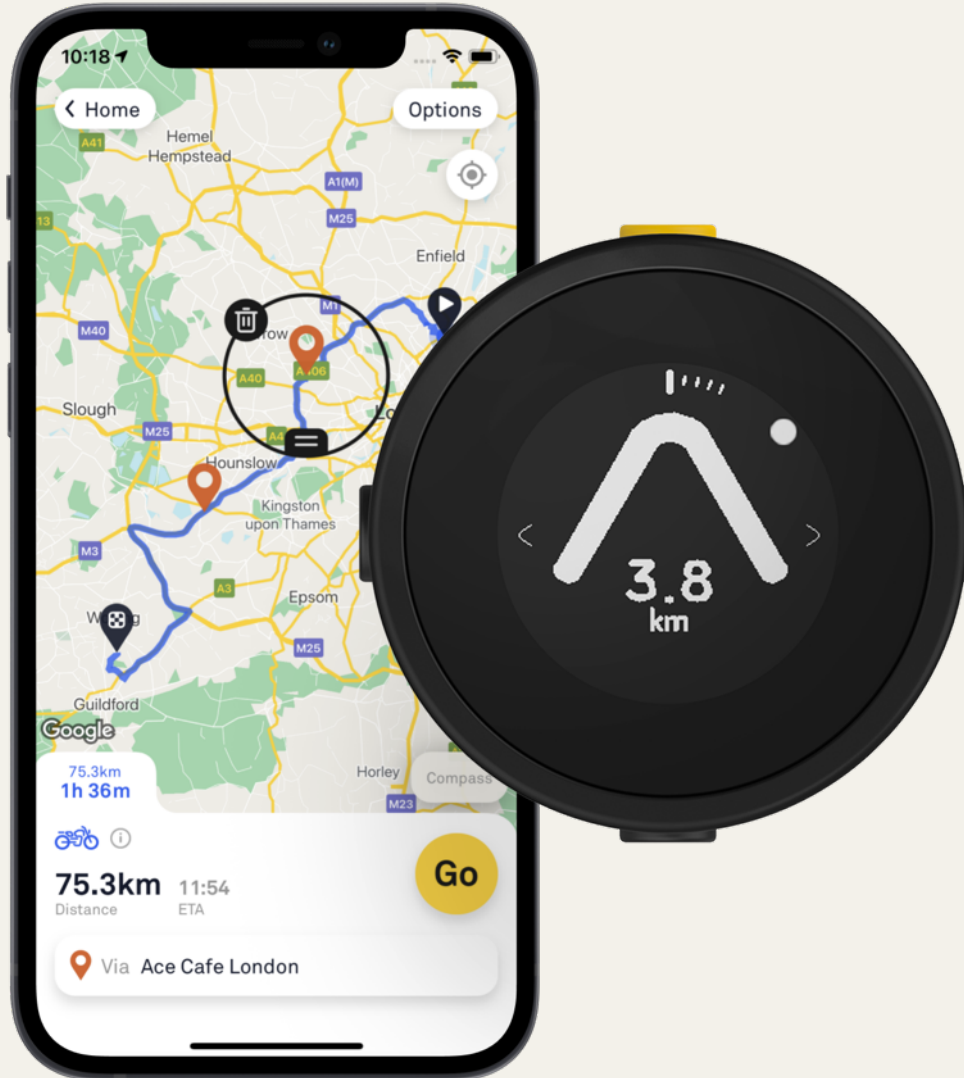
WITH HENRY CREW

[Unboxing, setting up and riding – In-depth review video](#)

Functionality

Software

- Apps for both iOS and Android
- Powerful route planner that lets you plot routes with multiple waypoints
- Global mapping coverage
- GPX Route import
- See all your rides and routes taken with journey tracking
- Save favourite places and routes
- Regular updates with new features and improvements



Hardware

- Long lasting: 30 hours battery time, months of standby time
- Adventure-proof: fully water/dust proof (IP76 certification) and vibration tested
- Flexible: find the set-up to suit your bike. Mounts designed for all bikes and available in both plastic and metal versions
- Glove-friendly buttons
- Automatic backlight for night riding
- Sharp, high contrast transfective screen that's readable even in direct sunlight

Top FAQs



Beeline top FAQs answered, 2021 app update

[Does Beeline Moto work with my phone?](#)

[Installing your Beeline Moto mount](#)

[Pairing with your Beeline Moto](#)

[What's in the box?](#)

[Following directions on Beeline Moto](#)

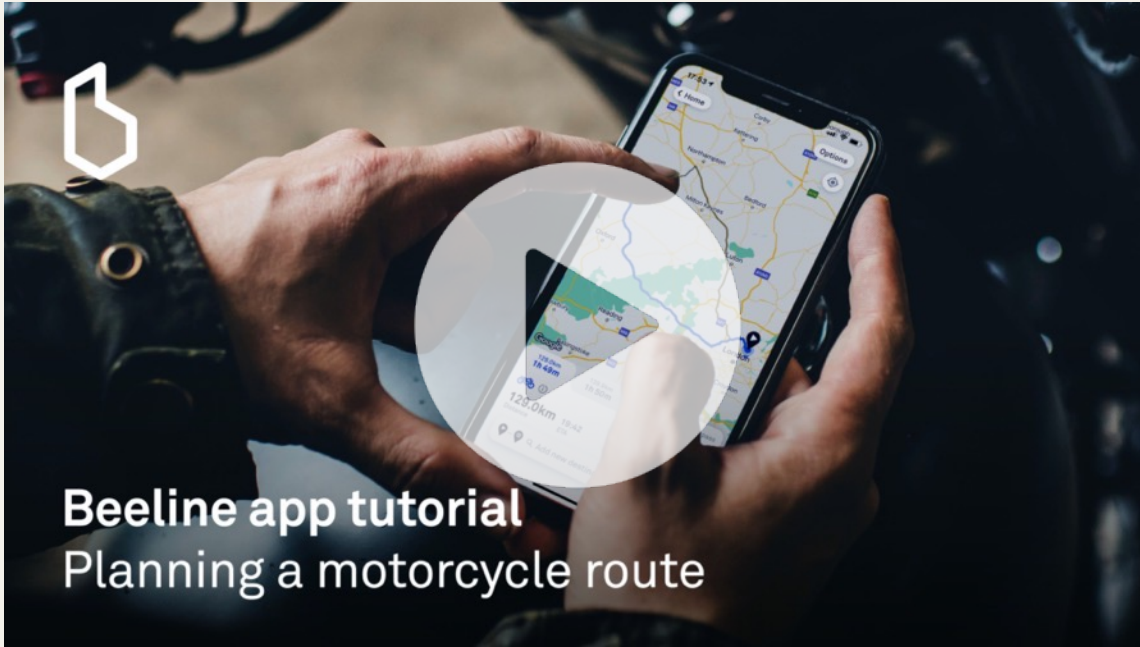
[Does Beeline Moto work offline?](#)

[Route mode vs. Compass Mode](#)

[Auto rerouting](#)

[Turning on, charging and battery level](#)

Beeline App Tutorials



[Planning a route – tutorial video](#)



[Importing GPX files – tutorial video](#)

App free to download



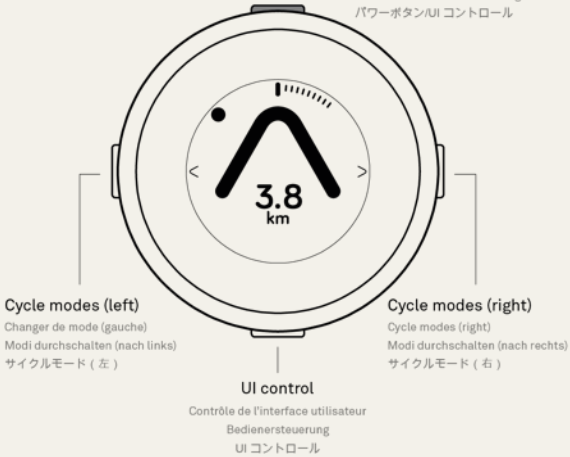
Getting started

[Complete online manual and FAQs >](#)

Device buttons

Boutons de l'appareil
Gerätetasten
デバイスボタン

Power button / UI control
Bouton marche-arrêt / contrôle de l'interface utilisateur
Netztaсте / Bedienersteuerung
パワーボタン/UIコントロール



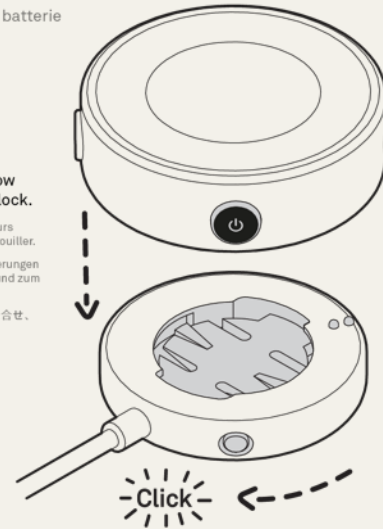
Charging

Chargement de la batterie
Ladevorgang
充電

Align the two yellow markers, twist to lock.

Alignez les deux marqueurs jaunes, tournez pour verrouiller.
Die beiden gelben Markierungen miteinander ausrichten und zum arretieren drehen.

2つのイエローマーカーを合せ、ねじってロックします。



Smartphone pairing

Jumelage avec smartphone
Smartphone-Kopplung
スマートフォンペアリング

Pair the Beeline Moto with your smartphone as prompted by the Beeline app. N.B: Do not pair in your smartphone's Bluetooth settings menu.



Effectuez le jumelage avec le Beeline Moto comme indiqué dans l'application Beeline. N.B. N'effectuez pas de couplage dans le menu de configuration Bluetooth de votre téléphone.

Wie von der Beeline-App aufgefordert mit dem Beeline Moto koppeln. Hinweis: Nicht im Bluetooth-Einstellungsmenü Ihres Telefons koppeln

Beelineアプリの指示に従って、Beeline Motoとペアリングします。N.B. 携帯のBluetooth設定メニューに登録しないでください



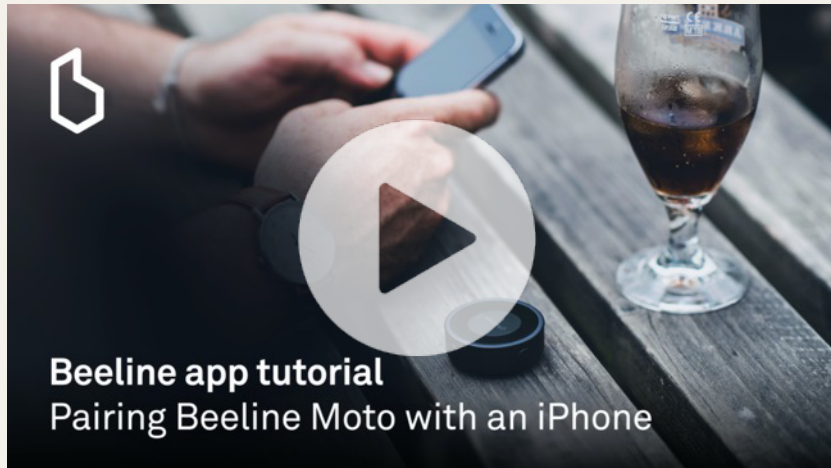
Device interface

Interface de l'appareil
Benutzeroberfläche
デバイスの表示画面



Watch a video explanation here: beeline.co/explainer

Regardez une explication vidéo ici:
Sehen Sie sich hier eine Videoerklärung an:
詳しい解説ビデオはこちら:



Beeline app tutorial
Pairing Beeline Moto with an iPhone

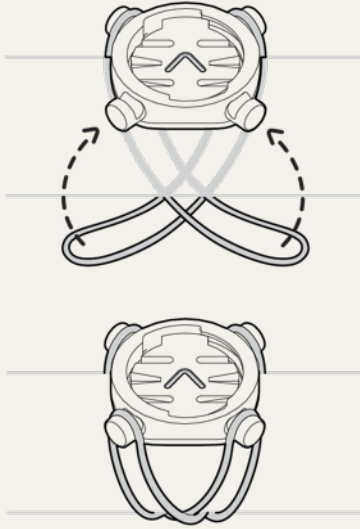
[Pairing Beeline Moto- tutorial video](#)

Mount installation

[Full online guide, complete with videos >](#)

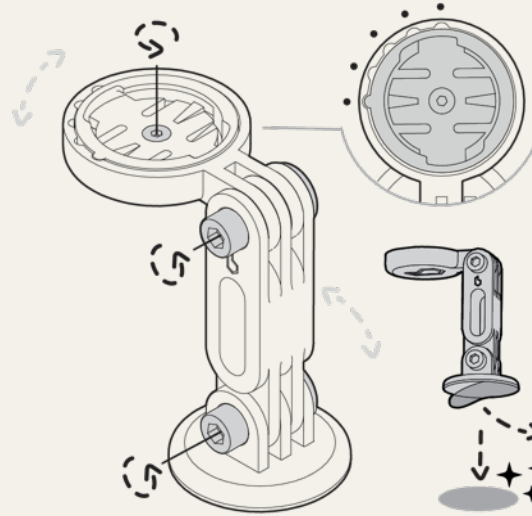
Universal elastic strap

Sangles élastiques universelles
Universal-Gummiband
ユニバーサルゴムストラップ



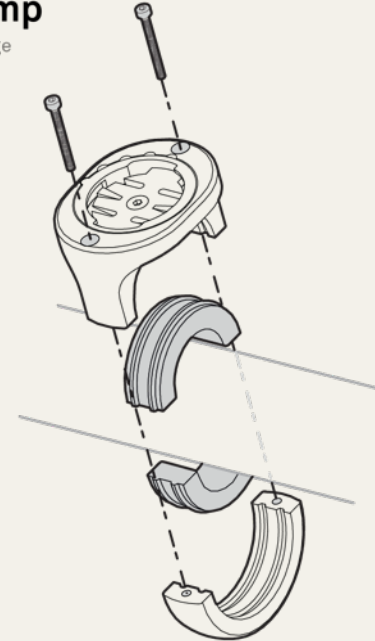
Sticky pad modular mount

Support modulaire avec coussin adhésif
Modulare Klebepadanbringung
粘着パッドモジュラーマウント



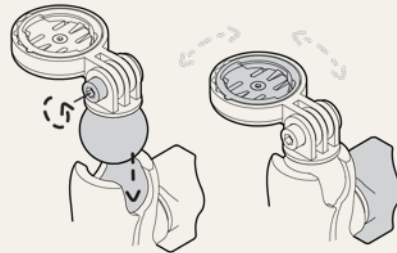
Bar clamp

Barre de serrage
Lenkerschelle
バークランプ



1-inch ball adapter

Adaptateur pour boule de 1 pouce
1" Kugeladapter
1-インチボールアダプター



Scooter mirror stalk clamp

Collier de fixation pour tige de rétroviseur de scooter
Motorrollerspiegel-Vorbauklammer
スクーターミラー固定型クランプ

