

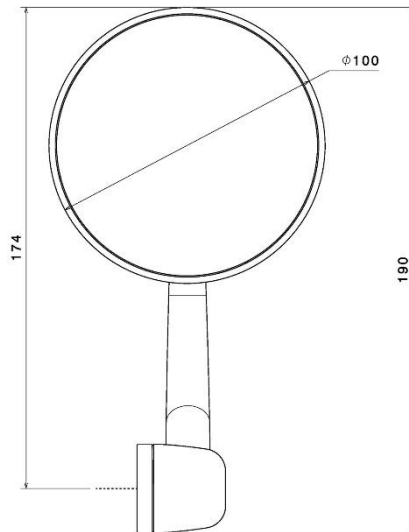
E1

000020

Issued by:	Kraftfahrt-Bundesamt Fördestraße 16, 24944 Flensburg Germany
Place & Date of type-approval:	Flensburg, 15.05.2017
Report No.:	12-00097-CP-BWG-01
Issued by:	TÜV SÜD AUTOMOTIVE GMBH DE-80686 München
Date of issue:	07.04.2017
Approval identification:	E1 000020

Product Codes: BS 192A, BS192B

Technical Drawing:



Marking:	Engraved by laser.
Field of application:	2 or 3 wheel motorcycles and vehicles treated as such. (PTWs, ATVs, Scooters, Motorcycles, Moped)

