



GENUINE SPARE PARTS & ACCESSORIES



DATA SHEET

MAINTENANCE FREE BATTERY



GENUINE SPARE PARTS & ACCESSORIES

The Maintenance Free (MF) batteries allows less maintenance because must be activated by filling the acid before first use.

Does not need to be recharged while stocked. Batteries are supplied with an acid pack.

The main advantages are :

- Valve regulated lead acid battery
- Need to be filled before first use
- No acid in cells before activation
- 12v batteries
- High life cycle
- Upright installation only
- Reduction of plate sulfation
- Suitable for cold weather



**PIAGGIO
GROUP**

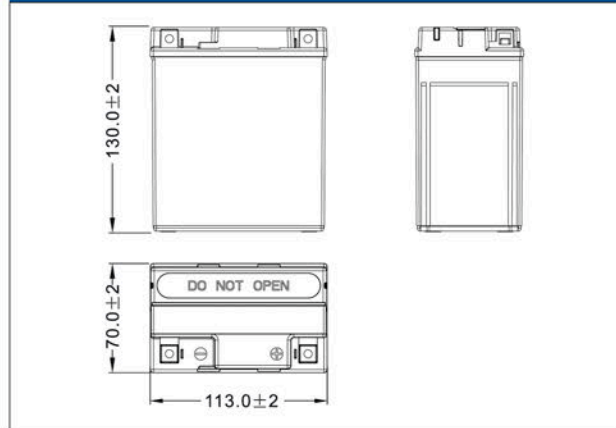
**GENUINE
SPARE PARTS
& ACCESSORIES**

DATA SHEET
MAINTENANCE FREE BATTERY

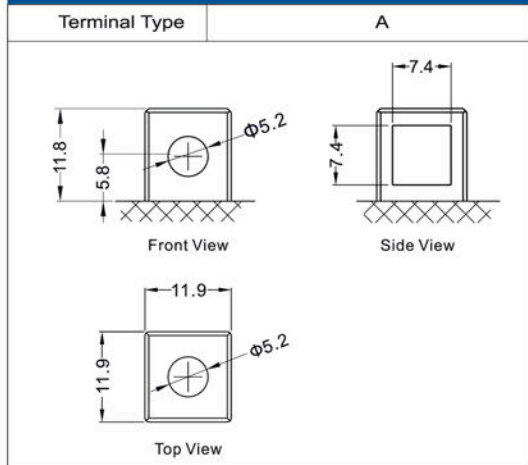
PTX7L-BS (12V 6Ah)



Dimensions (mm)



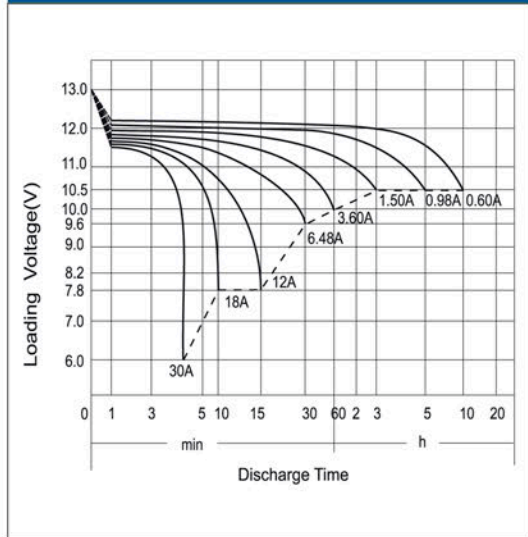
Standard Terminal (mm)



Physical Specification

Nominal Voltage	12V	
Nominal Capacity (10HR)	6AH	
Dimension	Length	113 ± 2mm (4.45 inches)
	Width	70 ± 2mm (2.76 inches)
	Container Height	130 ± 2mm (5.12 inches)
	Total Height (with Terminal)	130 ± 2mm (5.12 inches)
Weight	Battery(with acid):	Approx 2.43kg (5.35lbs)
	Electrolyte:	Approx 0.41kg (0.90lbs)
* AGM Maintenance-free		
* Powerful 110 cold cranking amps		

Discharge Characteristics (25°C, 77°F)



Electrical Specification

Rated Capacity	10 hour rate (0.60 A)	6.00AH
	5 hour rate (0.98 A)	4.92AH
	2 hour rate (2.10 A)	4.20AH
	1 hour rate (3.60 A)	3.60AH
	0.5 hour rate (6.48 A)	3.24AH
Capacity affected by Temperature	40 °C (104 °F)	106%
	25 °C (77 °F)	100%
	0 °C (32 °F)	86%
	-15 °C (5 °F)	65%
Self Discharge	Approximately 3% per month (25°C (77°F))	
Charging Methods	Full Charge	Constant-Voltage Charge: Initial charging current: less than 1.8A Voltage: 14.40 V ~ 15.00 V at 25 °C (77 °F) Charging time: 15 ~ 18h Constant-Current Charge: Charging current: 0.1C ₁₀ =0.60A, when charging voltage up to 14.40V, continue to charge 4h
	Floating Charge	No limit on Initial charging current Voltage: 13.50 V ~ 13.80 V at 25 °C (77 °F)

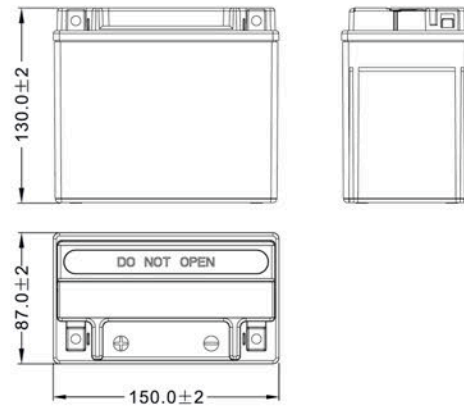
DATA SHEET

MAINTENANCE FREE BATTERY

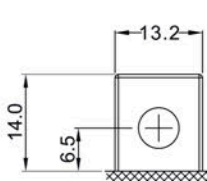
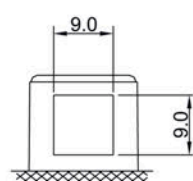
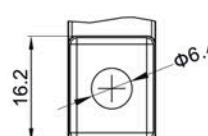
PTX12-BS (12V 10Ah)



Dimensions (mm)



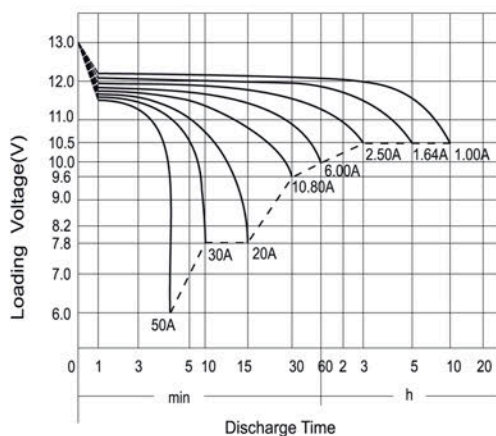
Standard Terminal (mm)

Terminal Type	A
 <p>Front View</p>	 <p>Side View</p>
 <p>Top View</p>	

Physical Specification

Nominal Voltage	12V	
Nominal Capacity (10HR)	10AH	
Dimension	Length	150 ± 2mm (5.91 inches)
	Width	87 ± 2mm (3.43 inches)
	Container Height	130 ± 2mm (5.12 inches)
	Total Height (with Terminal)	130 ± 2mm (5.12 inches)
Weight	Battery(with acid): Approx 3.97kg (8.74lbs)	
	Electrolyte: Approx 0.75kg (1.65lbs)	
* AGM Maintenance-free		
* Powerful 180 cold cranking amps		

Discharge Characteristics (25°C, 77°F)



Electrical Specification

Rated Capacity	10 hour rate (1.00 A)	10.00AH
	5 hour rate (1.64 A)	8.20AH
	2 hour rate (3.60 A)	7.00AH
	1 hour rate (6.00 A)	6.00AH
	0.5 hour rate (10.80 A)	5.40AH
Capacity affected by Temperature	40 °C (104 °F)	106%
	25 °C (77 °F)	100%
	0 °C (32 °F)	86%
	-15 °C (5 °F)	65%
Self Discharge	Approximately 3% per month (25°C (77°F))	
Charging Methods	Full Charge	Constant-Voltage Charge: Initial charging current: less than 3.0A Voltage: 14.40 V ~ 15.00 V at 25 °C (77 °F) Charging time: 15 ~ 18h Constant-Current Charge: Charging current: 0.1C ₁₀ =1.00A, when charging voltage up to 14.40V, continue to charge 4h
	Floating Charge	No limit on Initial charging current Voltage: 13.50 V ~ 13.80 V at 25 °C (77 °F)

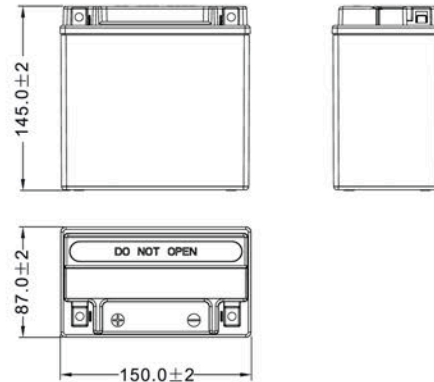
DATA SHEET

MAINTENANCE FREE BATTERY

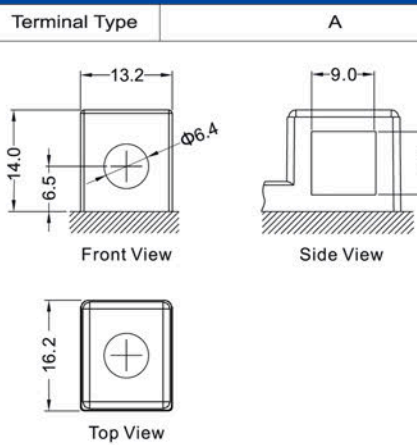
PTX14-BS (12V 12Ah)



Dimensions (mm)



Standard Terminal (mm)

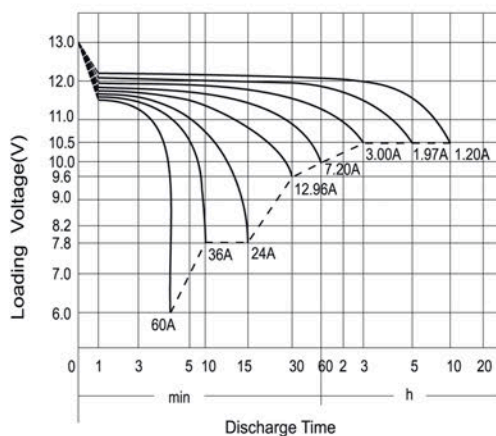


Physical Specification

Nominal Voltage	12V	
Nominal Capacity (10HR)	12AH	
Dimension	Length	150 ± 2mm (5.91 inches)
	Width	87 ± 2mm (3.43 inches)
	Container Height	145 ± 2mm (5.71 inches)
	Total Height (with Terminal)	145 ± 2mm (5.71 inches)
Weight	Battery (with acid)	Approx 4.40kg (9.69lbs)
	Electrolyte	Approx 0.86kg (1.89lbs)

- * AGM Maintenance-free
- * Powerful 200 cold cranking amps

Discharge Characteristics (25°C, 77°F)



Electrical Specification

Rated Capacity	10 hour rate (1.20 A)	12.0AH
	5 hour rate (1.97 A)	9.84AH
	2 hour rate (4.20 A)	8.40AH
	1 hour rate (7.20 A)	7.20AH
	0.5 hour rate (12.96 A)	6.48AH
Capacity affected by Temperature	40 °C (104 °F)	106%
	25 °C (77 °F)	100%
	0 °C (32 °F)	86%
	-15 °C (5 °F)	65%

Self Discharge: Approximately 3% per month (25°C (77°F))

Charging Methods	Full Charge	<p>Constant-Voltage Charge: Initial charging current: less than 3.6A Voltage: 14.40 V ~ 15.00 V at 25 °C (77 °F) Charging time: 15 ~ 18h</p> <p>Constant-Current Charge: Charging current: 0.1C₁₀=1.20A, when charging voltage up to 14.40V, continue to charge 4h</p>
	Floating Charge	<p>No limit on Initial charging current Voltage: 13.50 V ~ 13.80 V at 25 °C (77 °F)</p>